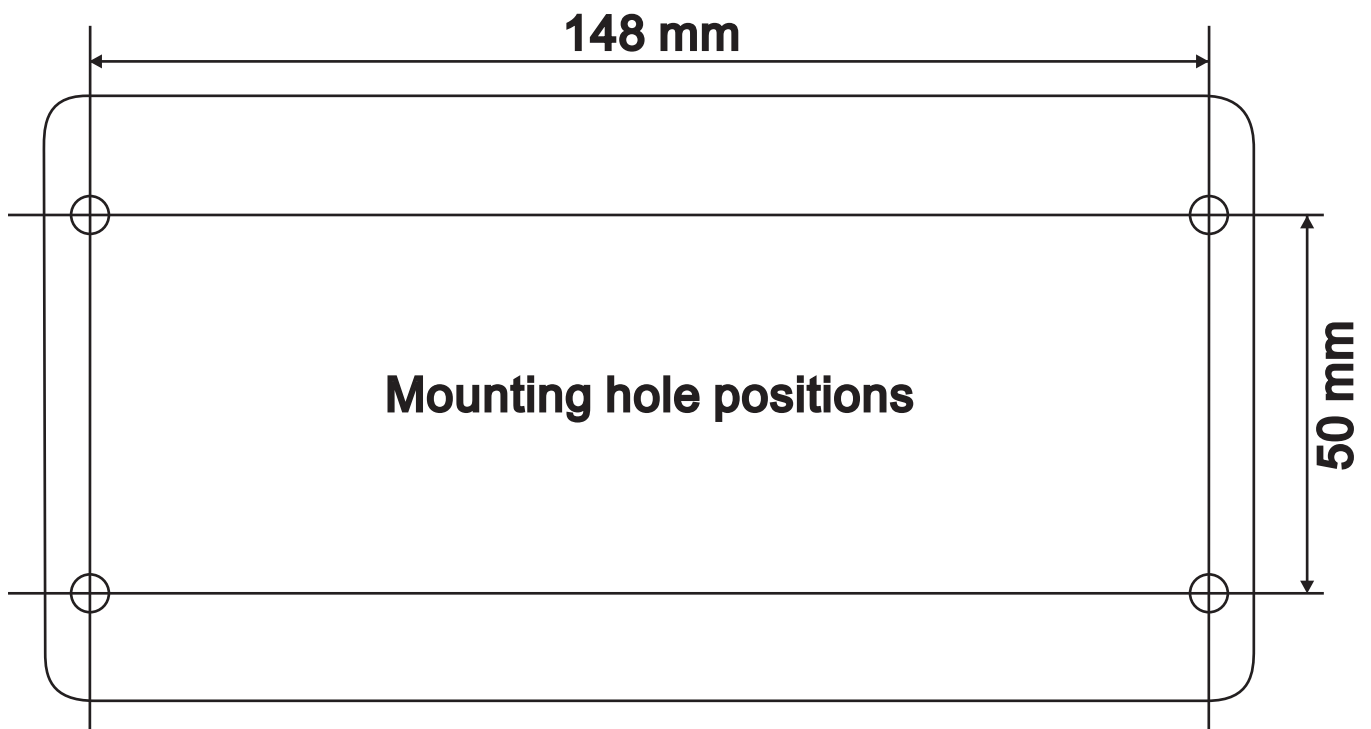
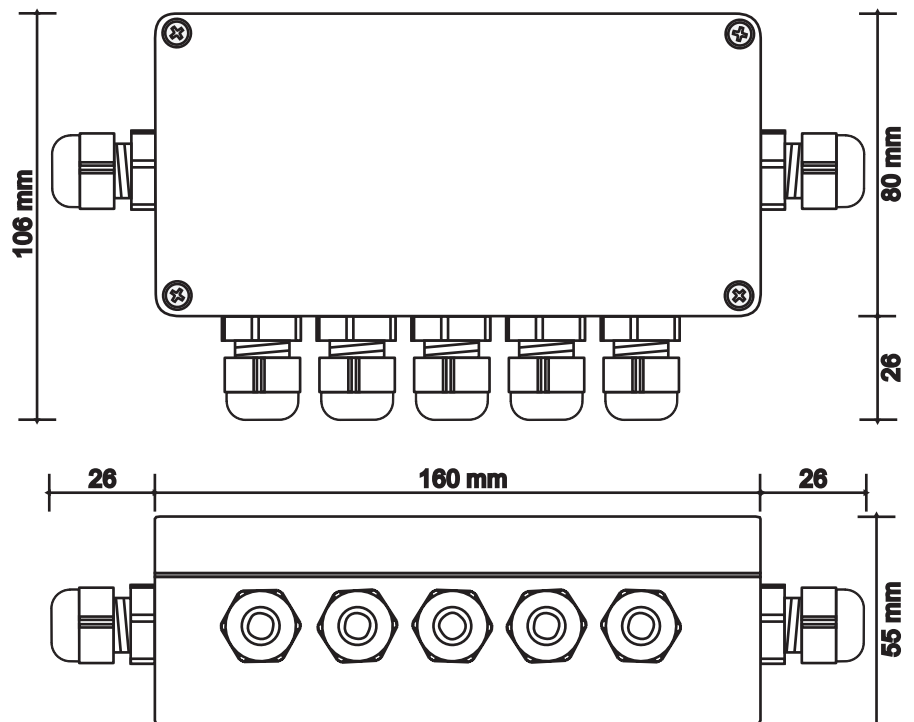


Case dimensions - 7 grommet 160x80x55 mm

To install your Actisense product, please use the full-size mounting hole dimension template and guidelines below...

Guidelines

1. Find a secure area on a bulkhead of at least 220 x 110 mm, and using the "Mounting hole positions" template, mark-out the drill holes.
2. Drill appropriate sized holes for the mounting screws or bolts (M3 or M4 with a small head are ideal sizes).
3. Mount the base to the bulkhead with the 5 grommets pointing downwards (to maximise the water ingress protection).
4. If additional protection from water is required, add a small amount of silicon / sicaflex sealant to the lid's gasket before screwing to the base.
5. Do not over tighten the lid screws, otherwise the lid's sealing grommet can become deformed, compromising the case's water ingress protection.



Active Research Limited
Unit 5, Wessex Trade Centre
Ringwood Road, Poole
Dorset UK BH12 3PF

t: +44 (0)1202 746682
f: +44 (0)1202 746683
e: sales@actisense.com
www.actisense.com

ActisenseTM