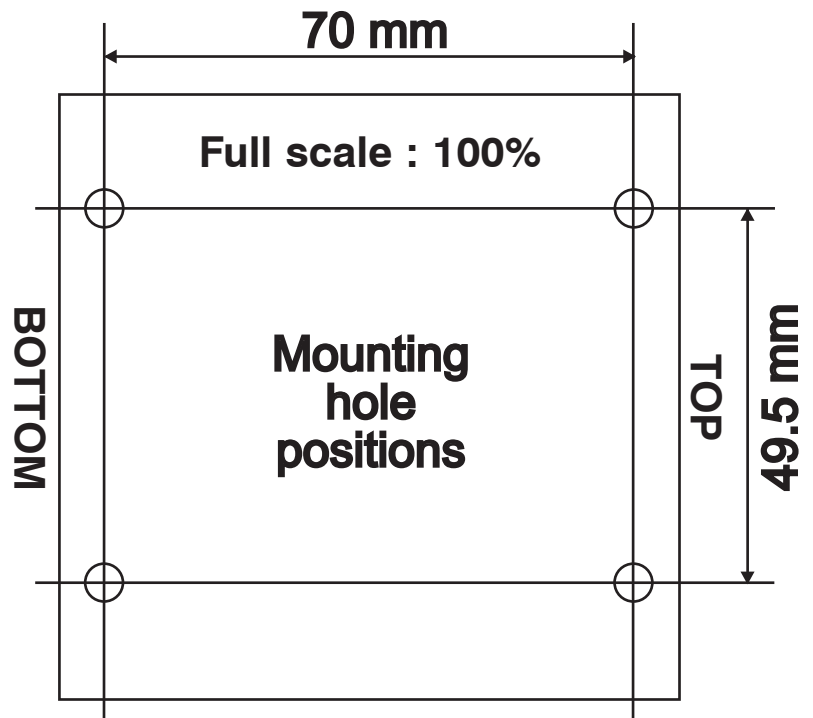
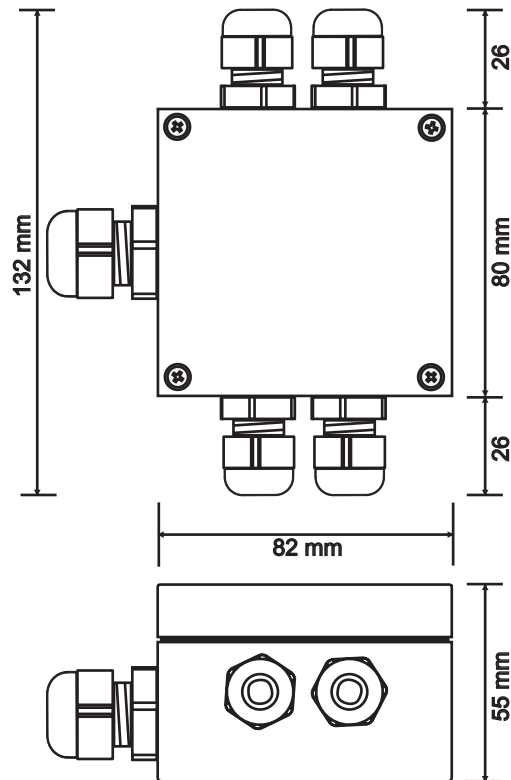


## Case dimensions - 5 grommet (USB) 82x80x55 mm

To install your Actisense product, please use the full-size mounting hole dimension template and guidelines below...

### Guidelines

1. Find a secure area on a bulkhead of at least 140 x 120 mm, and using the "Mounting hole positions" template, mark-out the drill holes.
2. Drill appropriate sized holes for the mounting screws or bolts (M3 or M4 with a small head are ideal sizes).
3. Mount the base to the bulkhead with the single USB grommet pointing downwards (to maximise the water ingress protection).
4. If additional protection from water is required, add a small amount of silicon / sicaflex sealant to the lid's gasket before screwing to the base.
5. Do not over tighten the lid screws, otherwise the lid's sealing grommet can become deformed, compromising the case's water ingress protection.



Active Research Limited  
 Unit 5, Wessex Trade Centre  
 Ringwood Road, Poole  
 Dorset UK BH12 3PF

t: +44 (0)1202 746682  
 f: +44 (0)1202 746683  
 e: sales@actisense.com  
[www.actisense.com](http://www.actisense.com)